

# DIGITAL PANEL METER

## A2100

**NEW!**



### ■ Features

- LED height 10mm
- Power supply 5VDC or 5 to 24VDC
- 3 1/2 digit

### ■ DC Voltage Measurement

Range	Measurement Range	Input Impedance	Input Protection	Accuracy
11	±199.9mV	100MΩ	±50V	± (0.1% of F.S)
12	±1.999V			
13	±19.99V			
14	±199.9V	1MΩ	±250V	

### ■ DC Current Measurement

Range	Measurement Range	Input Impedance	Input Protection	Accuracy
22	±1.999mA	100Ω	±50mA	± (0.2% of F.S)
23	±19.99mA	10Ω	±150mA	
24	±199.9mA	1Ω	±500mA	
25	±1.999A	0.1Ω	±3A	

### ■ Power supply

#### ● Non-isolation type

Voltage: 5VDC±5%  
Consumption: 60mA

#### ● Isolation type

Voltage: 5 to 24VDC  
Consumption: 100mA

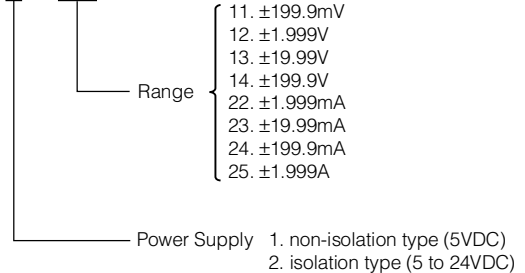
### ■ Specification

Input configuration: Single Ended  
Conversion rate: 2.5/sec  
Max display: 1999  
Overrange indication : When input exceeds the maximum display, 0000 or -0000 flashes  
Display : Red LED, 10mm  
Polarity : A "-" is displayed automatically  
Decimal point : Settable to any digit position by front SW  
External control : Hold  
Operating Temp. : 0 to 50°C 35 to 85% RH  
Dimensions : 48mm(W)×24mm(H)×39.7mm(D) DIN size  
Weight : 40g  
Dielectric strength : Power supply and input terminal at 500VDC/1min  
Case and each terminals at 1500VAC/1min  
Insulation resistance : 500VDC 100MΩ at the above terminals

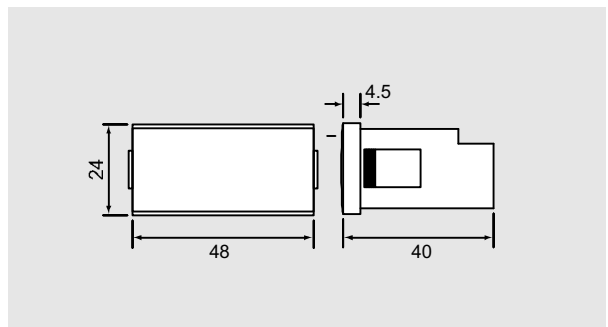
\* Replacement for AP-200, AP-201A, AP-202A(no option)

### ■ Ordering Code

A21□0-□□



### ■ Dimensions



### ■ Panel Cutout

