

DIGITAL PANEL METER

A2200

NEW!



■ Features

- LED height 10mm
- Power supply 5 to 24VDC (Isolation)
- 4 1/2 digit

■ DC Voltage Measurement

Range	Measurement Range	Input Impedance	Input Protection	Accuracy
12	±1.999V	100MΩ	±50V	± (0.1% of F.S)
13	±19.99V	1MΩ	±250V	
14	±199.9V			

■ Power supply

● Isolation type

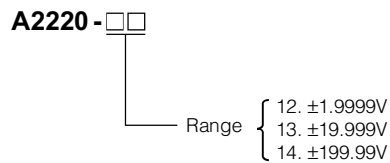
Voltage: 5 to 24VDC
Consumption: 100mA

■ Specification

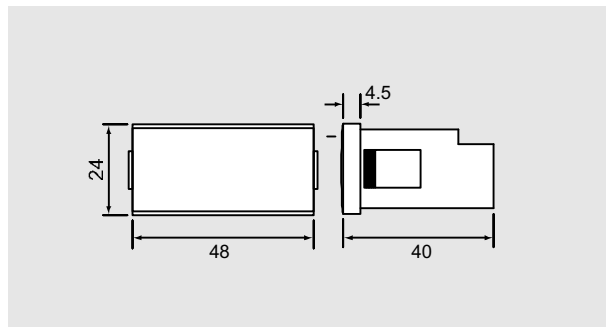
Input configuration: Single Ended
Conversion rate: 2.5/sec
Max display: 19999
Overrange indication : When input exceeds the maximum display, 0000 or -0000 flashes
Display : Red LED, 10mm
Polarity : A "-" is displayed automatically
Decimal point : Settable to any digit position by front SW
External control : Hold
Operating Temp. : 0 to 50°C 35 to 85% RH
Dimensions : 48mm(W)×24mm(H)×39.7mm(D) DIN size
Weight : 40g
Dielectric strength : Power supply and input terminal at 500VDC/1min
Case and each terminals at 1500VAC/1min
Insulation resistance : 500VDC 100MΩ at the above terminals

* Replacement for AP-241A, AP-242A, AP-244A(no option)

■ Ordering Code



■ Dimensions



■ Panel Cutout

