

C60-FL flow meter

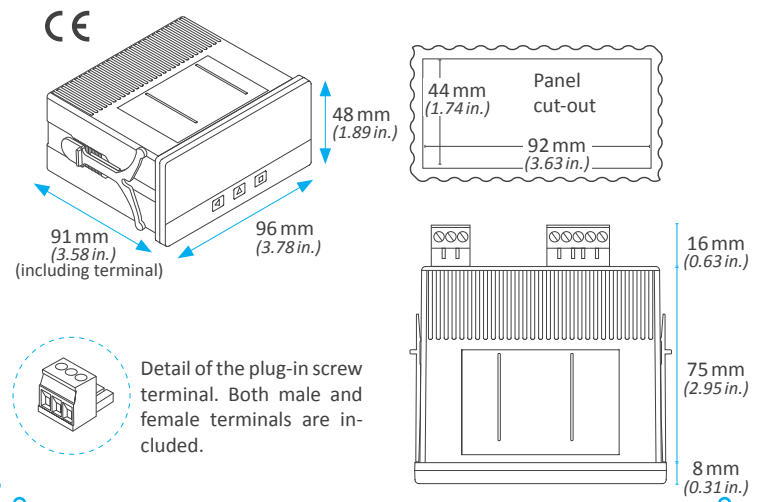
Digital flow meter for panel mount, measuring instant and total flow. Accepts impulse signal types NPN, PNP, pick-up, mVac, reed switch, mechanical contact, push-pull and others. Standard 96x48mm (1/8 DIN) size. Scalable reading with 6 digits ('999999' to '-199999') and configurable decimal point. Provides excitation voltage +15Vdc (@50mA). 'Fast access' function to alarm setpoints and preset value, reset function for total flow by rear contact and /or front key, rear contact to switch reading values, 'Eco' mode for reduced consumption, 5 brightness levels. Single universal power supply 18 to 265 Vac/dc. Optional relays, analog output and Modbus RTU serial communications. Recommended for OEM applications.



Technical specifications

Digits	6
Reading	999999 / -199999
Decimal point	configurable
Led color	red
Digit height	14 mm
Accepted signal	NPN, PNP, pick-up*, push-pull, reed contact, mechanical contact, ... (* minimum 10mVac RMS)
Maximum frequency	500 Hz
Minimum frequency	0.06 Hz (with parameter 'Gate' at 16 seconds)
Maximum voltage at input	±30 Vdc
Input impedance	4.4 KOhms with pull-up, pull-down resistances 120 KOhms without resistances
Quartz accuracy	±0.01 %
Thermal stability	20ppm/°C
Excitation voltage	+15 Vdc (max. 50 mA)
Value refresh	each time an impulse is detected
Display refresh	15 refresh / second
Memory retention	yes, retains total flow value in case of power loss
Configuration	from front keypad
Power 'U'	18 to 265 Vac/dc (50 / 60Hz) (isolated 1500 Veff @60 seconds)
Power wiring	1 mm ² to 2.5 mm ² (AWG17 to AWG14)
Output and control options	1 or 2 relays 1 analog output 4/20 mA isolated 1 Modbus RTU communications port, isolated
Front protection	IP50 standard (optional IP65)
Consumption (normal mode)	<1.0 W (meter only) <2.5 W (meter with options)
Consumption ('Eco' mode)	<0.3 W (meter only) <1.5 W (meter with options)

Dimensions (mm / in.)

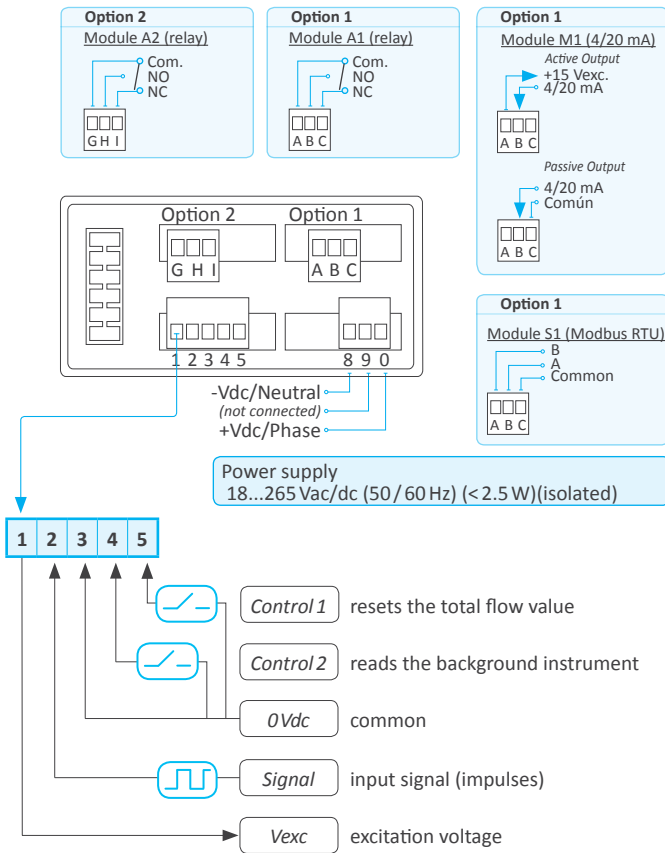


Connections	plug-in screw terminals
Mount	panel
Weight	<150 grams
Housing material	ABS, polycarbonate
Operation temperature	0 to 50 °C
Storage temperature	-20 to 70 °C
Warm-up time	15 minutes
Packaging	120x114x51 cm carton box
Material included	1x instrument C60-FL-U 1x signal terminal 1x power terminal 1x set of units 1x 'Quick installation guide'

How to order

Series	Model	Power	Option 1	Option 2	Others	Customization
C60	FL	U				
		-U (18-265 Vac/dc)	-A1 (1 relay) -M1 (analog output) -S1 (Modbus RTU) -(empty)	-A2 (1 relay) -(empty)	-NBT (no front keypad) -65 (front IP65) -(empty)	-XXXX (customized execution) -(empty)

Connections and rear view



Functions included

- 'Fast access' menu configurable menu at the 'UP' (▲) front key to access and modify the alarm setpoints, and preset values.
- 'Rear controls' two rear controls, activated by shortcircuit to the '0V' terminal, to apply a reset to the total flow value, and switch display reading between instant flow and total flow values.
- 'Eco' mode automatic turn-off of the display leds, to reduce the consumption of the instrument when the operator does not need reading.
- Alarms 1 or 2 alarms, independent, configurable as maximum or minimum, with setpoint, hysteresis and 'on alarm' functions.
- Simplified scaling easy scaling of the meter by using the 'K factor' parameter of the flow sensor, and independent multiplier and divider parameters for the instant flow and total flow values.
- Output and control options .. optional 1 or 2 relay outputs, 1 analog 4/20 mA isolated output, 1 Modbus RTU isolated communications port.
- Brightness configurable 5 levels of brightness intensity.
- Password blocks the configuration menu.
- Front Units set of labels 'Units 9' included

Options and accessories

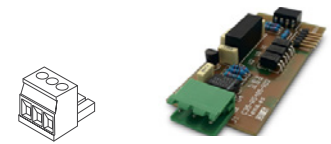
Relay Output

Module A1 and A2
Function 1 relay output
3 contacts (NC, NO, Common)
up to 250 Vac @ 8 Amperes



Modbus RTU output

Module S1
Function 1 Modbus RTU output
9.600 bps, 4.800 bps
isolated 1000 Vdc



Analog Output

Module M1
Function 1 analog output isolated
4/20 mA
isolated 1000 Vdc



Additional documentation

User's manual C60-FL	www.fema.es/docs/5046_C60-FL_manual_en.pdf
Datasheet C60-FL	www.fema.es/docs/5058_C60-FL_datasheet_en.pdf
Quick installation guide C60-FL	www.fema.es/docs/5060_C60-FL_installation_en.pdf
CE declaration of conformity	www.fema.es/docs/5047_CE-Declaration_C60-FL_en.pdf
Warranty	www.fema.es/docs/4153_Warranty1_en.pdf

Other signals we work

