

Gas detector



◎ Brief

- SEN series smart gas transmitter changes the gas concentration into standard 4~20mA current source signal, Online free parking digital free configuration, multi-parameter backlight LCD display, replacement of the sensor, plug and play, International standard fully intelligent with 2-wire smart toxic gas transmitter, 3-wire smart combustible gas transmitter.
- SEN series smart gas transmitter with excellent performance, long term stability, easy to install and maintain, measurement variety of gas. Great to meet the requirements such as industrial field safety of testing equipment reliability, stability and measurement diversification gas. Our products have been widely used in petroleum, chemical, metallurgical, petrochemical, gas distribution transport, biochemical medicine and water treatment.
- SEN series gas transmitter can measure a variety of gases and ranges to meet different needs of the site.

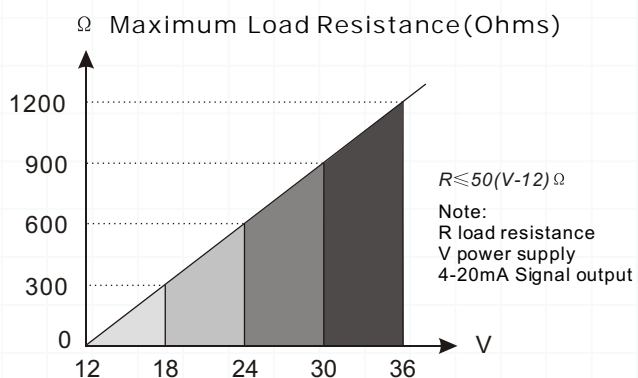
◎ Features

- 4-20mA, standard 2-wire (combustible: 3-wire connection), compatible with existing alarm control unit or DCS (Distributed Control System)
- Flameproof body design acc. to IEC61508, simple and easy installation and maintenance.
- Multi-parameter backlight LCD display: measuring range, digital gas reading, units, bar graph, system status etc.
- International standard plug-in sensor, Plug and Play!
- Sensor replacement without recalibration, automatic sensor data recognition. Sensor fault signal output monitoring and indicating.
- Programmable alarm operation value, low or high level alarm indication.
- Three-key operation for on-site configuration and maintenance.
- PC programmable software for online configuration and maintenance.
- PDA programmable software for configuration and maintenance on-site, field or remote operation separate from the control units.
- Automatic temperature compensation ensure the correct measurement.

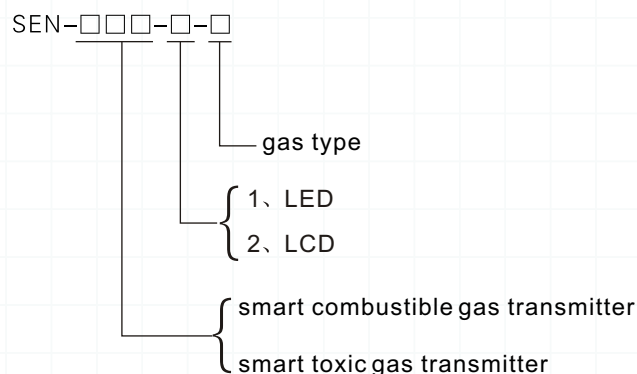
◎ **Technic data**

Power supply	24VDC (10.5 ~ 45 VDC)
Linear output signal	4~22.8mA with superimposed communication signal for HART protocol , Standard signal: 3.8mA. Failure signal: 3.6mA.
T90 response time	<30 secretary
Resume time	<35 secretary
Resolution	1 uA
Accuracy	±3%F.S.; ±1%F.S. (On request)
Display	backlight LCD, LED
Backlight LCD display	5-digit gas reading , 50 bar graph display 0-100% full scale"
Unit	ppm, mA, %, %LEL、%VOL
Operating temperature	-40~70°C (According to gas sensor operating conditions)
Humidity	10-95%RH (non condensing)
Ex-protection	Exd IIC T6 (Flame-proof Type)
Electronic housing	Die-cast aluminium explosion-proof housing
Accessories material	Aluminium for O2、CO and combustible gas. Stainless steel for others.
IP rating	Ip66

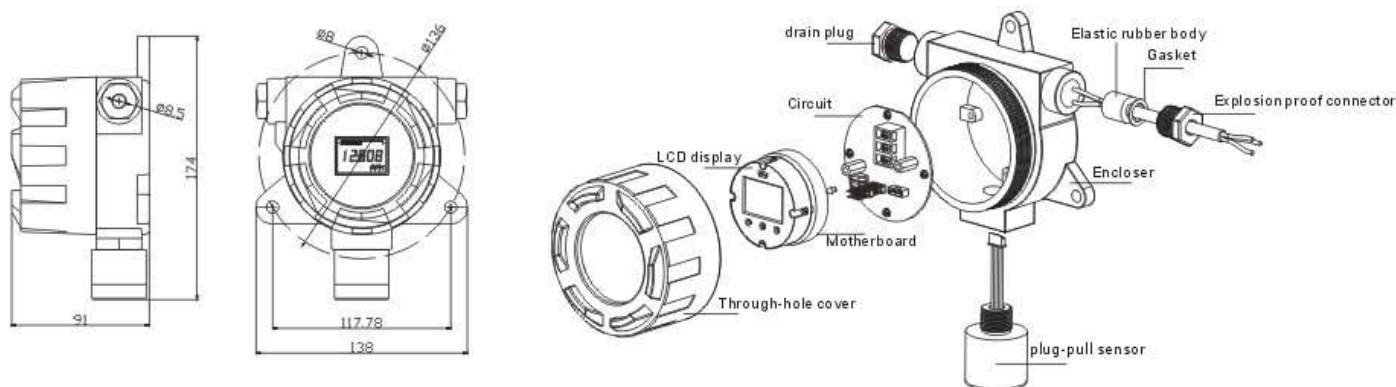
◎ **Load features**

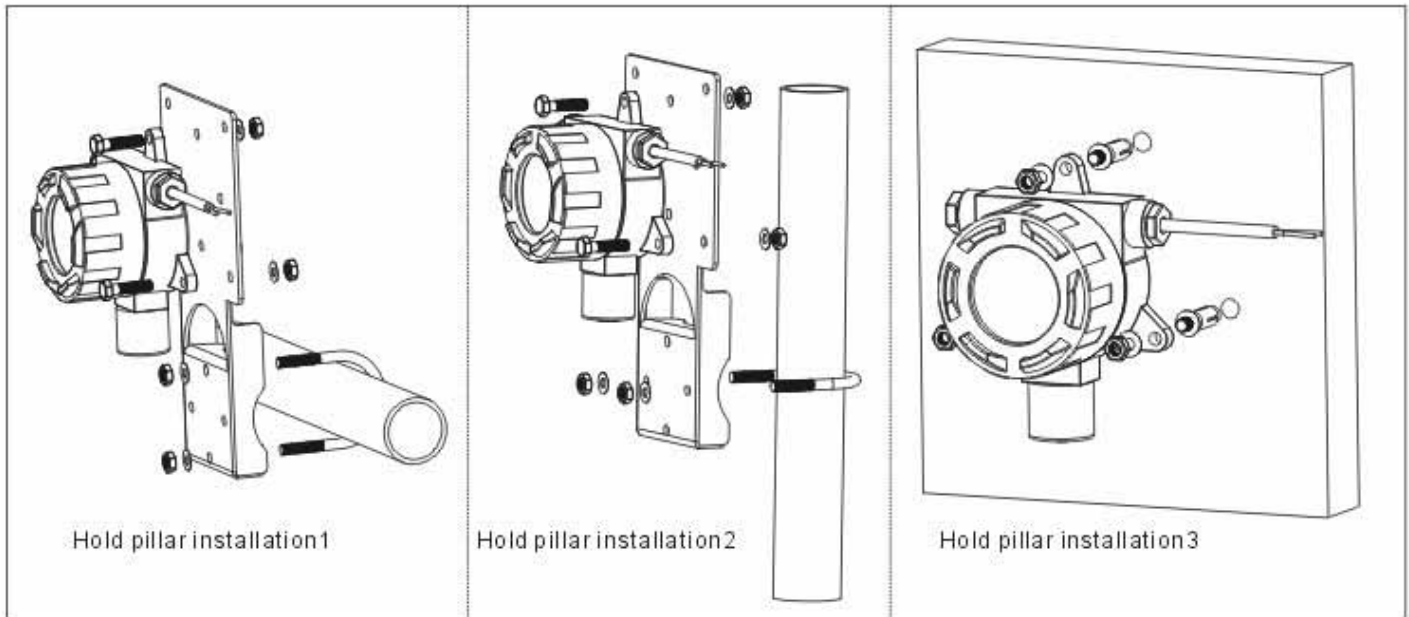


◎ **Selection**

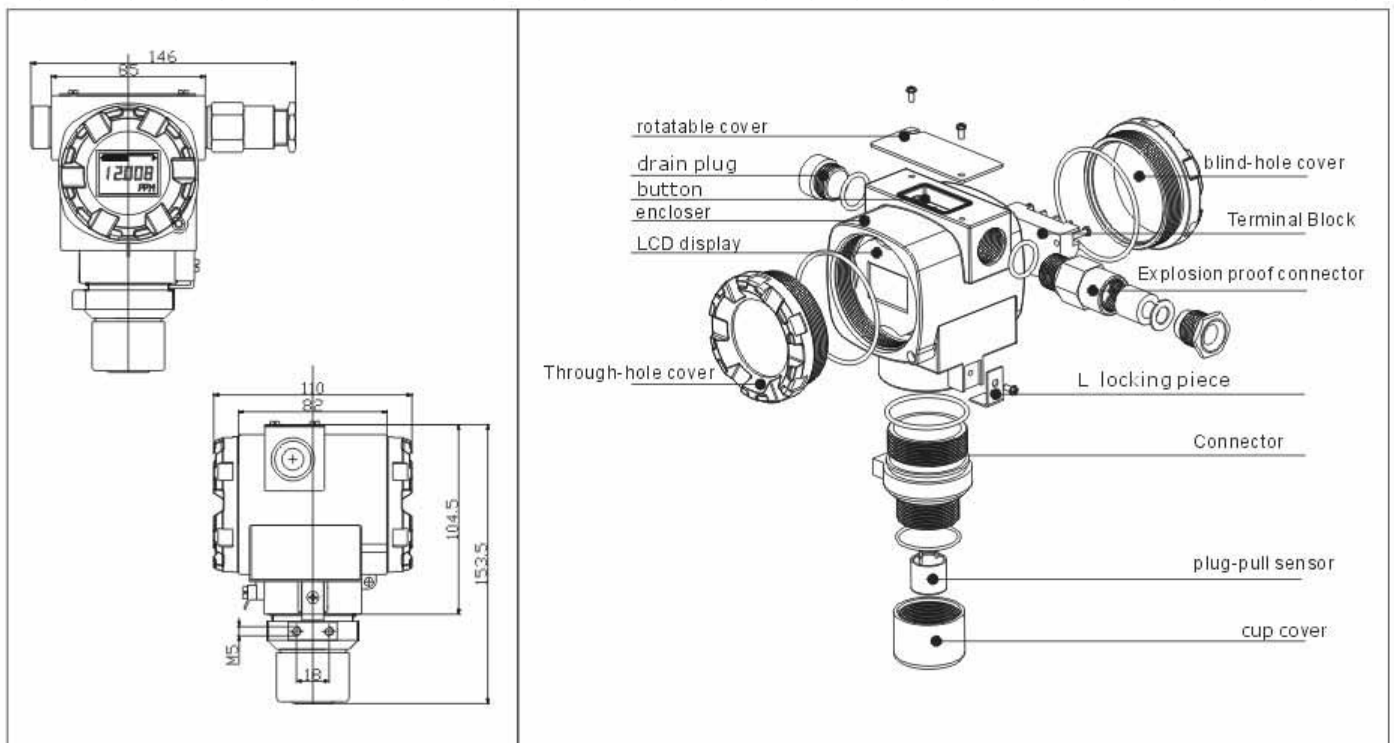


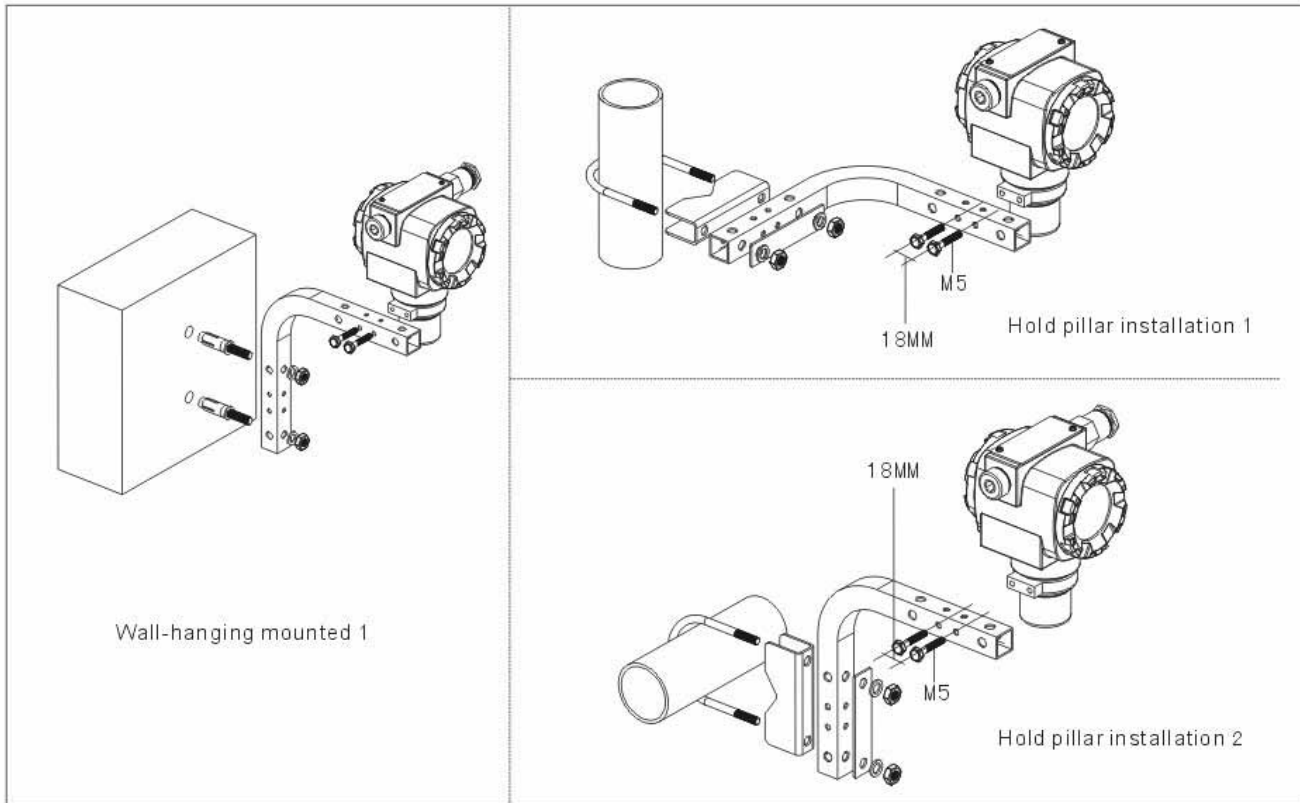
◎ **Dimensions/Mounting instruction**





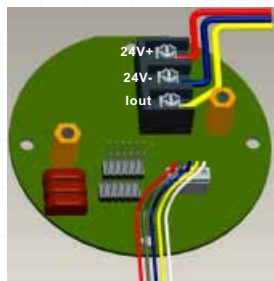
L series:



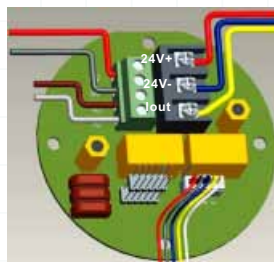


© Main Board Wiring diagram

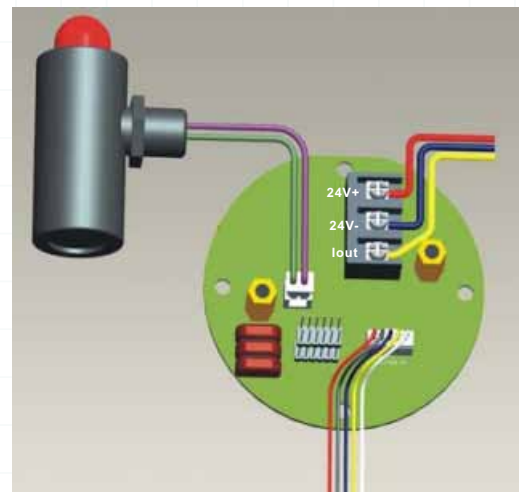
Combustible gas detector:



power supply wiring diagram

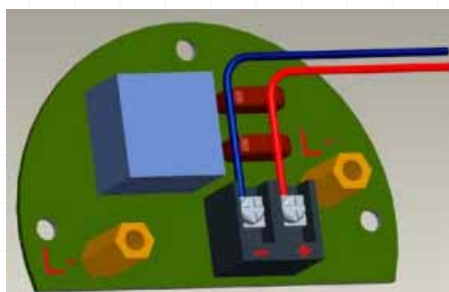


Relay wiring diagram

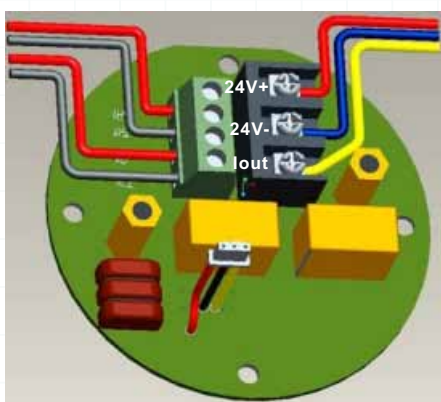


Alarm wiring diagram

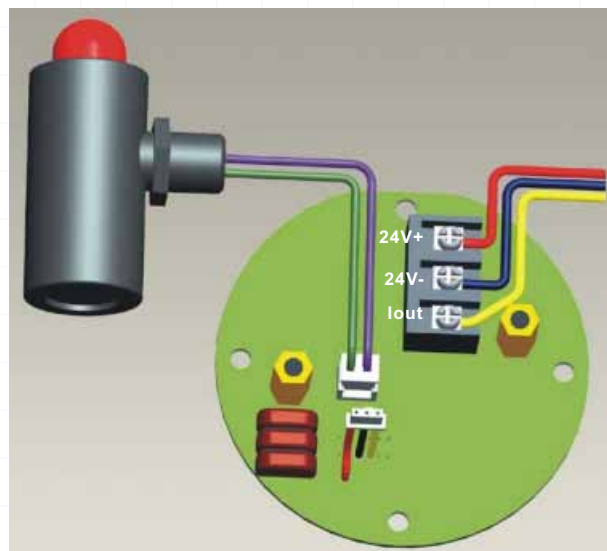
Toxic gas detector:



power supply wiring diagram



Relay wiring diagram



Alarm wiring diagram

Attention:

- Prohibited operate when the current is switched on.
- Prohibited change the sensor when the current is switched on.
- Installation, calibration, settings must be performed by professionals
- Pls check the calibration of the transmitter periodically
- Pls change the expired and faulty sensor
- Avoid impact the sensor go beyond the measuring range of the gas.