

2 -wire Loop Powered Display Plug-On LEDD-01

Application

All transmitters with an output signal
4 to 20 mA and a DIN 43650 plug



Performance

- Plug and play
- For 4 to 20mA output, Plug DIN 43650
- Self powered
- Compact design
- Easy programming with Push buttons
- Visible in the dark environment
- Ingress protection IP 65
- Reverse Polarity
- Low power consumption
- 16 Bit ADC MCU inside
- LED can work at 3mA
- Optional: Two OPTO switch outputs

The Plug-on display LEDD-01 is fit for all of the transmitters and converters with 4~20mA 2-wire technique, just as pressure, differential pressure, temperature, flow, PH, acceleration and so on.

16 Bit ADC MCU inside.

Customer can use the two buttons to program the zero point, span, decimal point, damping and alarm point etc.

Over or under range are displayed as a message. The integrated smart diagnostic system continuously monitors all device function.

The programmed parameters are stored in an EEPROM and being kept in case of a power failure.

The plug-on display is simply plugged in between connector and socket; it is then ready for operation.

The plug-on display is powered by the current loop of the 4 to 20 mA signal transmitter. No additional auxiliary power is required.

The plug-on display can be rotated in 90° steps, it can thus be adapted to different mounting positions.

Technical data

Display	
Type	4-digit, red LED display, digit height 7 mm, digit width 4.85mm
Range	-1.9.9.9.to 9.9.9.9.
Accuracy	0.1%±1 digit
Digital damping	0 to 20 s (step 0.5 s)
Supply	
Supply	Not required, 4 to 20 mA loop powered
Voltage drop	≤2.5V
Electrical protection	
Short-circuit protection	Permanent
Reverse polarity protection	Max.current: approx. 200 mA
Ambient temperatures	
Operating	-20 to 70°C
Storage	-30 to 85°C

Materials

Display housing

ABS

Others

Weight

Approx.80g

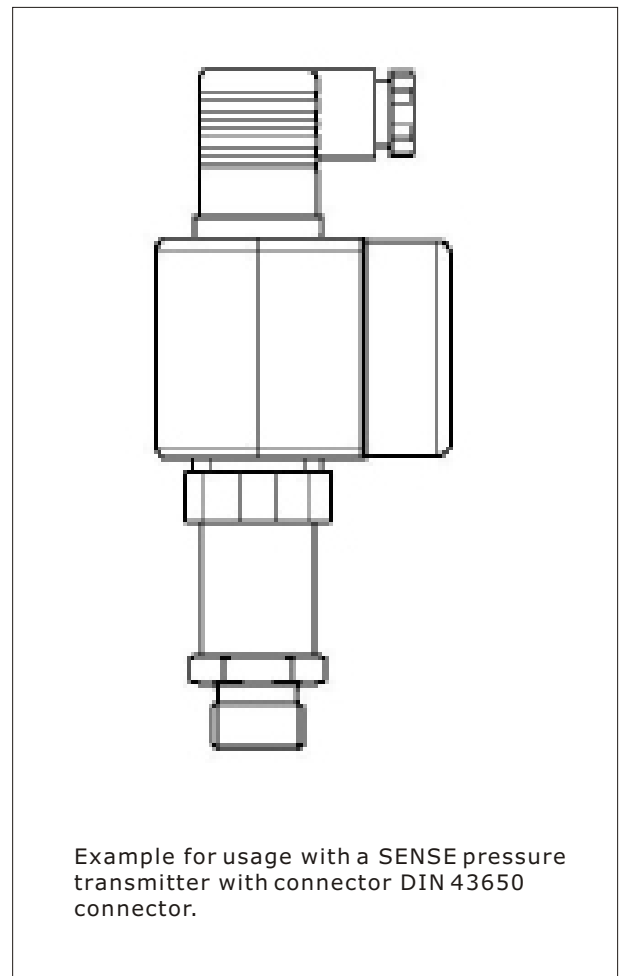
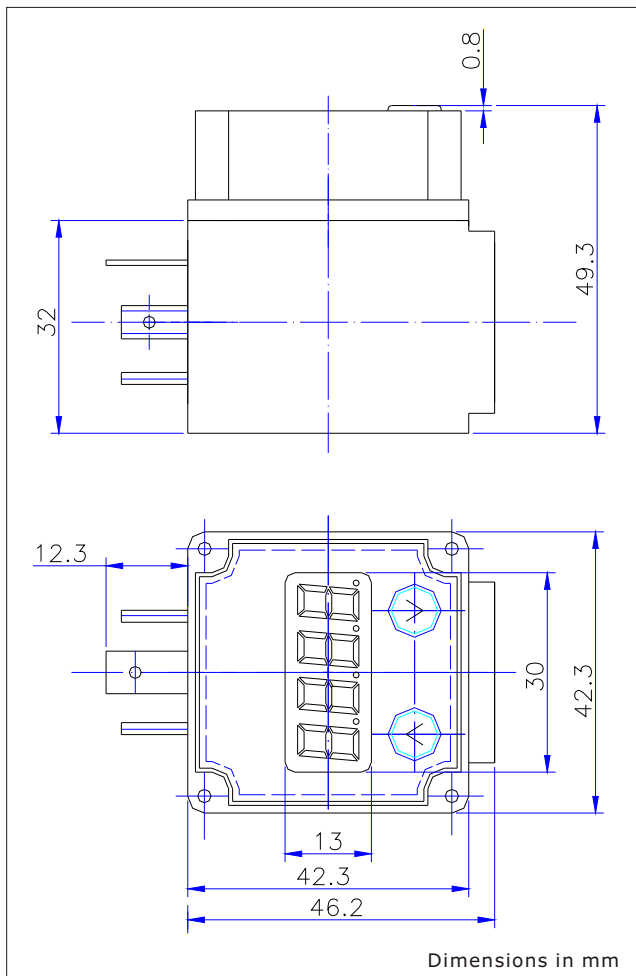
Ingress protection

IP 65

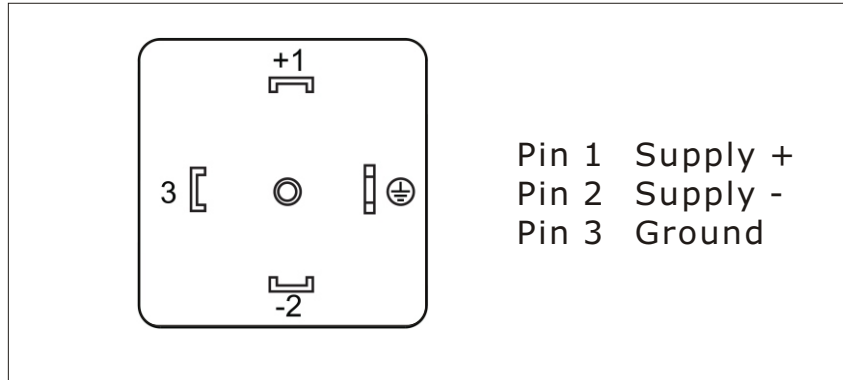
Color of housing

Black, orange(option)

Dimensions



Electrical connection



SENSE Instruments Co., Ltd.

1515th Chuanqiao RD.
Jinqiao Export processing Industrial Zone
Pudong New Area 201206 Shanghai China
Tel. +86(21) 5854 0878
Fax. +86(21) 5899 3196
www.sen-tec.com
sense.oversea@sen-tec.com

Your best choice in SENSE

Your OEM partner

www.sen-tec.com