

Novel LCD Display Universal Economical Temperature Controller AiFUZZY-903

Technical Manual
Version number: EN-V9-01



About us

Guangzhou Tmcon Electronic Technology Co, Ltd.

Address: No.1, Xinhe Road West Street, Xier Village, Luopu Street, Panyu District, Guangzhou

Email: chinatmcon@163.com

WeChat : +86 13662353011

TEL:+86 13533063770

WhatsApp: +86 13533063770

Alternatively, click on the instant messaging tool on the www.china-tmcon.com website to answer your questions online

Thank you very much for choosing TMCON products,
In order to better use this product, please read the following before using.

■ Safety precautions

Attention

Do not touch the terminal while the power is on.
Otherwise, it will cause minor injuries due to electric shock.



Do not allow metal objects, wires or installation generated by the chip or moisture into the controller, debugging tool port or debug tool cable connector pin.
Otherwise it will cause electric shock, fire or machinery misoperation.
Install the cover on the front panel debug tool port when it is not used to prevent foreign objects from entering the port.



Do not use in the presence of explosive or combustible gases,
Otherwise it will cause minor damage due to the explosion.



Please ensure that there is no dust deposit in the debug tool port of the product body and between the pins in the cable connector section And so on, otherwise occasionally can cause the fire.



Please do not decompose, modify, repair, or contact the internal equipment,
otherwise it will lead to mild electric shock, fire, equipment failure.



Caution: Danger of fire and electric shock

- (a) The unit is an open process controller certified by UL Recognition and is not intended for use in control cabinets that may catch fire.
- (b) When using more than 2 open-circuit switches, please turn off all switches before repair inspection, so that the product is in a power-off state.
- (c) Signal input is SELV, limit loop. * 1
- (d) Note: To reduce the risk of fire and electric shock, do not interconnect the outputs of different CLASS2 circuits. * 2



If used beyond the life of the product, it may cause contact melting or burn-out. The life of the output relay varies greatly depending on the switching capacity and switching conditions. Therefore must consider the actual conditions of use, in the rated load, electrical life within the number of times to use.



* 1 selv power supply means "Power supply with double or reinforced insulation between input and output, with an output voltage of 30 vr.m.s and a peak value of 42.4 V or less than 60 VDC.

* 2 Class2 power supply refers to "Power supply in which the current and voltage are limited to a certain level in the output of the secondary side of the product and are tested and certified by UL.

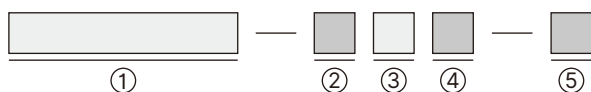
■ 1. Main features

- Adopting a color LCD display screen, the PV white font is easy to read from a long distance, and the side illuminated backlight is paired with an advanced LCD display screen, resulting in a soft and clear display effect.
- The ultra-thin panel and large screen LCD are paired with a new trend industrial aesthetic shell , giving a more advanced feel.
- Plastic handle waterproof button, the surface of the button is sturdy and wear-resistant, and the operating feel is clear and smooth.
- The measurement accuracy is 0.25, and the resolution is further upgraded, and the measurement is more accurate and stable.
- AiFUZZY artificial intelligence adjustment algorithm perfectly combines fuzzy control and adaptive PID control, with AT self -setting and AT self -learning functions, It can automatically learn and remember some features of the controlled object during adjustment to optimize the effect. It has the control characteristics with out overshoot and undershoot adjustment, and can also obtain excellent control effects on complex and difficult control objects.
- Support a variety of thermocouples and thermal resistance inputs. Setting through parameters can be freely switched.
- Support multiple output specifications: relay contact switch, SSR solid relay drive voltage, SCR no contact switch.
- With decimal point selection and degrees Celsius and Fahrenheit selection Settings.
- Further improving the anti -interference performance, so that it can also work stably in a worse electromagnetic interference environment.
- Using high -performance switching power supply design, strong load capacity, select of wide temperature range and high internal pressure components to adapt to various harsh environments, with lightning protection and surge.
- The power supply adopts a self-healing circuit design, which can automatically cut off power to protect the instrument in case of overvoltage or undervoltage. When the voltage is normal, it can automatically restore normal power supply.
- This model positioning: designed for mechanical equipment to provide a simple function, economic price, stable performance, accurate control temperature controller.

2. Technical Parameter

type	G - type panel	D - type panel	A - type panel	E - type panel	F - type panel
Panel size (wide × high)	48×48mm	72×72mm	96×96mm	48×96mm (Vice)	96×48mm (Horizontal)
Open -hole size (wide × high)	45×45mm	68×68mm	92×92mm	45×92mm	92×45mm
Installation method	Embedded panel installation				
Power supply	AC100~240V 50/60Hz; or DC12~24V				
Allow the range of voltage changes	85%~ 110%of the rated power voltage				
Power consumption	About 5VA when AC100 ~ 240V, and about 3.5VA at DC24V				
Display method	7-segment LCD display screen (PV white light, SV green light, indicator light orange light)				
Input specifications and measurement range	Thermocouple: K (-50 ~+1300 ° C), E (0 ~ 800 ° C), J (0 ~ 1000 ° C), n (0 ~ 1300 ° C) Thermal resistance: PT100 (-200 ~+600 ° C)				
Decimal point	0 (none), 0.0 (1 digits)(set by DP parameters)				
measurement accuracy	Level 0.25				
The sampling period	Sample 10 times per second; set the digital filter parameter INF = 0, the response time ≤ 0.5 seconds				
control method	1.ON/OFF Position adjustment method (adjustable hysteresis) 2.AiFUZZY artificial intelligence adjustment, advanced control algorithm including fuzzy logic PID adjustment and parameter self-tuning function				
Control cycle	0.1 ~ 300.0 seconds adjustable				
Relay contact switch output	3A/20VAC or 3A/30VDC				
SSR voltage output	12VDC 50mA or 9VDC 50mA (for driving SSR solid -state relay)				
SCR non-contact output module	100~240VAC/0.2A (continuous); 2A (20mS momentary, 5S repetition period)				
Electromagnetic Compatibility	IEC61000-4-4 (electrical fast transient burst) ±6KV/5KHz, IEC61000-4-5 (surge) 6KV, and under the interference of 10V/m high-frequency electromagnetic field, the instrument does not crash, the I/O malfunctions will not emerge either, and the fluctuation of the measured value does not exceed ±5% of the range				
Isolation withstand voltage	The power supply side, the relay contact and the signal side are ≥ 2300VDC; the interdependent weak electricity signal end ≥ 600VDC				
Use environment	Temperature -10 ~+55°C (not freezing or exposed), humidity 25-85%RH				
Storage environment	Temperature -25 ~+65°C (not freezing or exposed), humidity 25-85%RH				

3. Model definition



①	②	③	④	⑤
Model	Panel size	OUTP Control output	ALM Alarm output	Meter power supply
AiFUZZY903	G	N	N	N or not write
	D	R1	R1	D
	E	Q1	R2	
	F	W1	R3	
	A	W2		
		Q7		

① Model

Code	illustrate
AiFUZZY903	Novel LCD Display Universal Economical Temperature Controller

② Indicates the size of the meter

Code	illustrate
G	Panel size 48 × 48mm (wide × high), open hole size 45 × 45mm
D	Panel size 72 × 72mm (wide × high), open hole size 68 × 68mm
E	Panel size 48 × 96mm (wide × high) (vertical), open hole size 45 × 92mm
F	Panel size 96 × 48mm (wide × high) (horizontal), open hole size 92 × 45mm
A	Panel size 96 × 96mm (wide × high), opening size 92 × 92mm

③ Indicates the installable module for OUTP control output

N	No installed touch module
R1	Single circuit relay normally open contact switch output module, module capacity: 30VDC/3A, 250VAC/3A
Q1	SSR Solid-state relay drive voltage output module, 12VDC/50mA
W1	Normally open thyristor contactless output module, capacity: 100-240VAC/0.2A, with the characteristic of "not burnt out"
W2	Normally closed thyristor contactless output module, capacity: 100-240VAC/0.2A, with the characteristic of "not burnt out"
Q7	Built -in SSR solid -state relay, and interconnect in the instrument and the power supply of the instrument, directly output the power supply voltage module (for example, the power supply is connected to 220V, the output 220V voltage, the power supply is 110V, the output 110V voltage), suitable for 1.5A/220V small small small small small small Power load (customized)

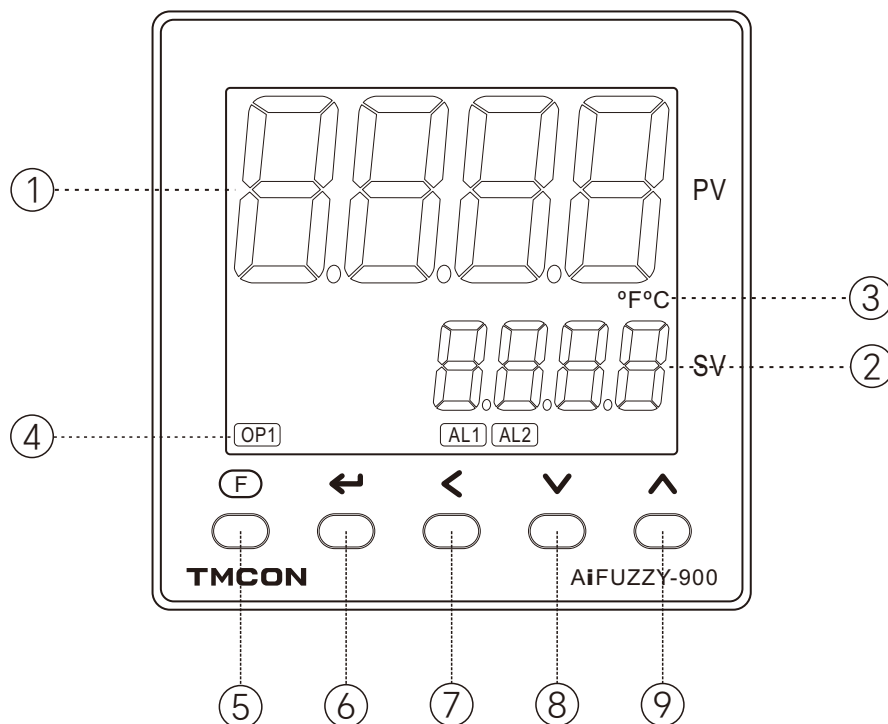
④ Indicates the installable module for ALM alarm output

N	No installed touch module
R1	Single channel, AL1 alarm output (relay normally open contact output operation block), contact capacity: 30VDC/3A, 250VAC/3A
R2	Dual channel, AL1+AL2 alarm output (relay normally open contact output block), contact capacity: 30VDC/3A, 250VAC/3A
R3	Single channel, AL2 alarm output (relay normally open+normally closed contact output module), contact capacity: 30VDC/3A, 250VAC/3A
R4	Dual circuit, AL1 (relay normally open contact output)+AL2 (relay normally open+normally closed contact output) alarm output, contact capacity: 30VDC/3A, 250VAC/3A

⑤ Indicates the power supply power supply

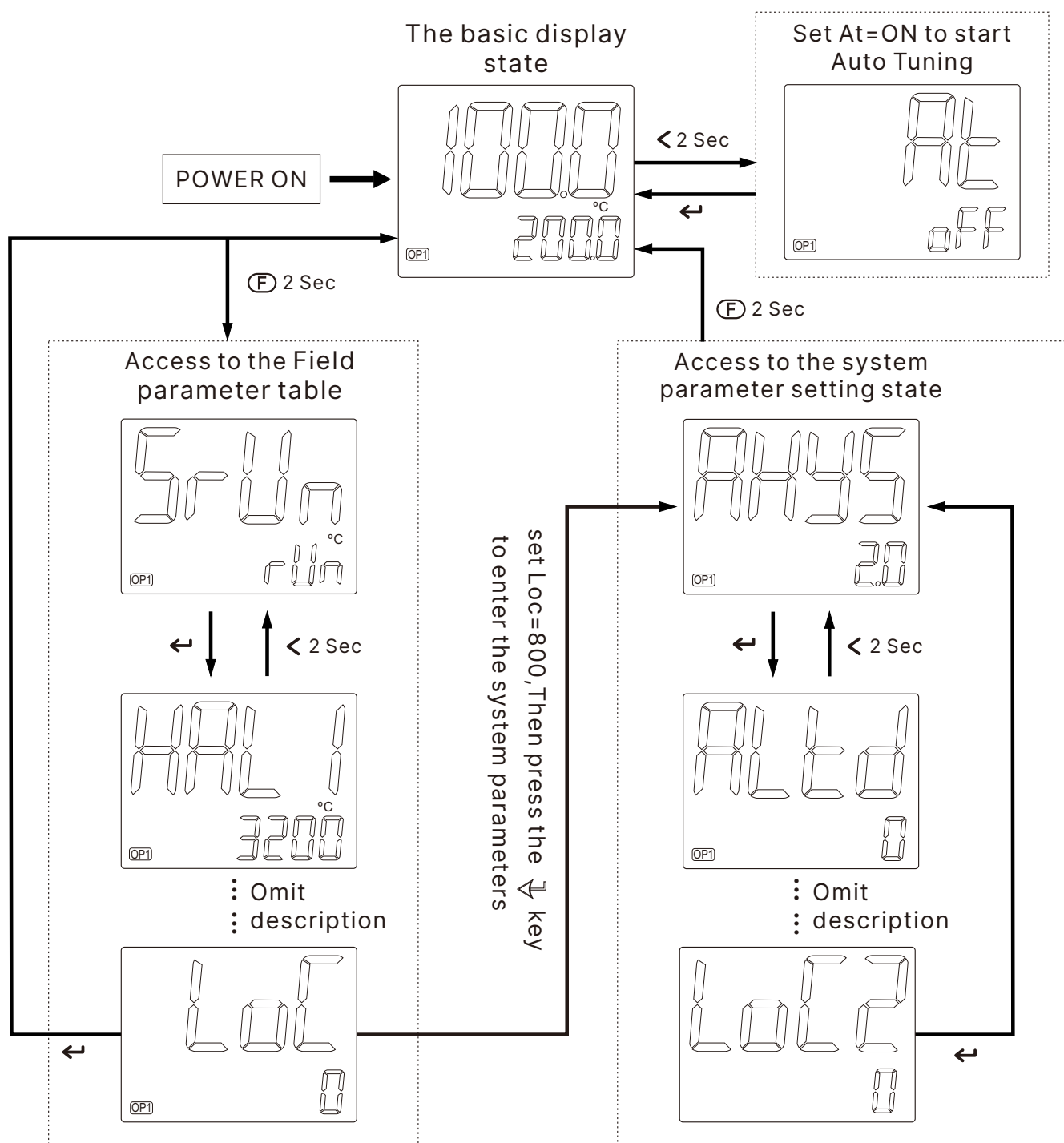
Code	illustrate
N or not write	100~240VAC power supply
D	12-24VDC power supply

■ 4. Panel description



- ① First display window(upper display window), displays the measured value PV, parameter name, etc.
- ② Second display window(The lower display window), displays the given value SV, alarm code, parameter value, etc.
- ③ Temperature Display Unit .
- ④ Output indicators:OP1,AL1,AL2 indicators.
- ⑤ Parameter key: Entry / exit parameter settings.
- ⑥ Return key: confirm and switch to the next parameter.
- ⑦ Data shift key.
- ⑧ Data decrease key.
- ⑨ Data increase key.

5. Display status and operation flowchart



6. Instrument operation method description

6.1 Parameter Setting

In the basic display state, press the **F** key and hold for about 2 seconds to enter the field parameter setting state. If you set LOC=800 and press the **←** key, you can enter the function parameter settings. If you set LOC=801 and press the **F** key, you can enter the control parameter settings. press the **<**, **∇**, **∧**, etc. keys to directly modify the parameter values. press **∇** to decrease the data, press **∧** to increase the data, The value waiting to be modified will flash, press and hold, you can quickly increase/decrease the value. You can also press the **<** key to move directly to the value bit you want to modify, and the operation is faster. press the **←** key to save the modified parameter value and display the next parameter. press the **<** key and hold it for more than 2 seconds to return to the previous parameter. press the **F** key for hold 2 seconds to return to the basic display state.

6.2 Setting the given value

In the basic display state, press the **<**, **∇**, **∧** keys to directly modify the given value.

6.3 Stop Control

In the basic display state, press and hold the **F** key for about 2 seconds to enter the on-site parameter setting state, Use the **∧** key to set the $SrUn$ (SrUn) parameter to stop, and then press and hold the **F** key for about 2 seconds to exit the parameter setting state; At this point, the second display window will display "Stop" and flash, and the instrument will stop controlling the output.

6.4 Run control

If in the basic display state, the second display window of the instrument shows "Stop" and flashes, indicating that the instrument is in a stop control output state. Press and hold the **F** key for about 2 seconds to enter the on-site parameter setting state. Use the **∇** key to set the $SrUn$ (SrUn) parameter to rUn, and then press and hold the **F** key for about 2 seconds to exit the parameter setting state; At this point, the second display window will briefly display "rUn", and the instrument will perform normal run control.

6.5 Auto Tuning

When FUZZY+PID control method is chosen (CntL=FPId), the optimal PID parameters can be obtained by running auto-tuning, So as to achieve precise control without overshoot.

In basal display status, press **<** for 2 seconds, the "At" parameter will appear. Press **∧** to change the value of "At" from "oFF" to "on", then press **←** to active the auto-tuning process. During auto tuning, the instrument executes on-off control. After 2-3 times of on-off action, the instrument will obtain the optimal control parameter value.

If you want to escape from auto tuning status, press and hold the **<** key for about 2 sec until the "At" parameter appear again. Change "At" from "on" to "oFF", press **←** to confirm, then the auto tuning process will be cancelled.

Note 1: If the setpoint is different, the parameters obtained from auto-tuning are possible different. So you'd better set setpoint to an often-used value or middle value first, and then start auto-tuning. For the ovens with good heat preservation, the setpoint can be set at the highest applicable temperature. Depending on the system, the auto-tuning time can be from several seconds to several hours.

Note 2: Parameter HYS (on-off differential, control hysteresis) has influence on the accuracy of auto-tuning. Generally, smaller value of HYS, will get higher precision of auto tuning result. Too large value of HYS, will made the controller out of control, so, HYS is recommended to be 2.0.

Note 3: AiFUZZY-900 series instrument has the function of self-adaptation. It is able to learn the process while working. he control effect at the first run after auto tuning is probably not perfect, but excellent control result will be obtained after a period of time because of self-adaptation.

7. Parameter list and function

7.1 Field parameter

In the basic display state, press and hold **F** key 2 seconds, Enter the field parameters.

Code	Name	Description	Range
<i>srUn</i>	Running state	run:Run control state StoP:Stop state, No.2 display flashing display "StoP".	
<i>HAL 1</i>	AL1 high limit alarm value	"HAL1" is the absolute value alarm or deviation value alarm, by "ALtd" parameter definition. When the value set to Max. will disable this function.(3200)	-999~3200 (Ex-factory value HAL1 and HAL2 is 3200, LAL1 and LAL2 is -999)
<i>LAL 1</i>	AL1 low limit alarm value	"LAL1" is the absolute value alarm or deviation value alarm, by "ALtd" parameter definition. When the value set to Min. will disable this function.(-999)	
<i>HAL 2</i>	AL2 high limit alarm value	"HAL2" is the absolute value alarm or deviation value alarm, by "ALtd" parameter definition. When the value set to Max. will disable this function.(3200)	
<i>LAL 2</i>	AL2 low limit alarm value	"LAL2" is the absolute value alarm or deviation value alarm, by "ALtd" parameter definition. When the value set to Min. will disable this function.(-999)	
<i>Loc</i>	Password lock	Set LOC=800, then press the ← key to enter the following system parameters.	

7.2 Sysem parameter

In the field parameters, set Loc=800, Then press **←** key to enter the system parameters.

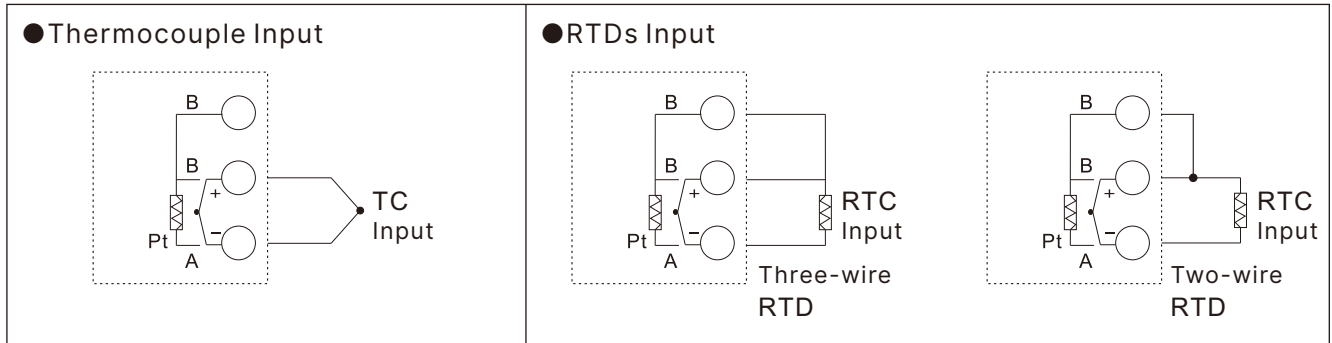
Code	Name	Description	Range
<i>ALYS</i>	Alarm hysteresis	Avoid frequent alarm on-off action because of the fluctuation of PV.	0~200.0 (Ex-factory value 2)
<i>ALtd</i>	Alarm mode	ALtd=0, AL1 is the deviation value alarm, AL2 is the absolute value alarm. ALtd=1, AL1 and AL2 is the absolute value alarm. ALtd=2, AL1 and AL2 is the deviation value alarm.	0~9999 (Ex-factory value 0)
<i>cnL</i>	Control mode	onof: on-off control. For situation not requiring high precision. FPId: advanced artificial intelligence AiFUZZY(FUZZY+PID) control(Recommended use).	Ex-factory value FPId
<i>orEu</i>	Selection of heating refrigeration	onr: Reverse acting. Increase in measured variable causes a decrease in the output, such as heating control. ond: Direct acting. Increase in measured variable causes an increase in the output, such as refrigerating control.	Ex-factory value onr

<i>P</i>	Proportional band	Proportional band in FPID control. Instead of percentage of the measurement range, the unit is the same as PV. Generally, optimal P, I, D and CP can obtained by auto tuning. They can also be manually inputted if you already know the correct values.	1~3200 (Ex-factory value 25)
<i>I</i>	Integration time	The integration time of the FPID adjustment, the unit is sec, and the integral action is canceled when I=0.	1~9999 (Ex-factory value 200)
<i>d</i>	Differential time	The differential time of the FPID adjustment , the unit is 0.1 sec, and the differential effect is canceled when d=0. *d initial value:50.0.	1~3200 (Ex-factory value 50.0)
<i>CP</i>	Control cycle	CP reflect the instrument operator to adjust the speed, the size of the CP that affect the control accuracy. With SSR, SCR output control cycle preferable to shorter, usually 0.5-3.0 Sec. The relay switch output is generally in 15-40 sec. When the output relay switches , the CP will be limited to 3 sec, And self-tuning At will automatically set the CP as the appropriate value, taking into account the control accuracy And mechanical switch life. When the control mode CntL = onoF, the action of the CP as an output disconnect or power-on output ON Delay time.	0.2~300.0 (Ex-factory value Relay output is 15.0, SSR output is 2.0)
<i>HYS</i>	Control hysteresis	HYS is used for ON-OFF control to avoid frequent on-off action of relay. For a reverse acting (heating) system, when PV > SV, output turns off; when PV<SV-HYS, output turns on. For a direct acting (cooling) system, when PV<SV, output turns off; when PV>SV+HYS, output turns on.	0~200.0 (Ex-factory value 2.0)
<i>Int</i> (Int)	Input Signal	Selection of input Types for thermocouples or RTD: K,E,J,N,Pt (Pt100)	Ex-factory value K
<i>dP</i>	Decimal point	0 :no decimal. 0.0:one decimal place.	Ex-factory value 0.0
<i>Sc</i>	Input Shift Adjustment	SC is used to shift input to compensate the error caused by transducer, input signal, or auto cold junction compensation of thermocouple.PV after compensation=PV before compensation + Sc It is generally set to 0. The incorrect setting will cause measurement inaccurate.	-199.9~+400.0 (Ex-factory value 0.0)
<i>InF</i>	PV input filter	The value of InF will determine the ability of filtering noise. When a large value is set, the measurement input is stabilized but the response speed is slow. Generally, it can be set to 1 to 3. If great interference exists, then you can increase parameter "InF"gradually to make momentary fluctuation of measured value less than 2 to 5. When the instrument is being metrological verified, "InF" s can be set to 0 or 1 to shorten the response time.	0~40 (Ex-factory value 2)

<i>du</i>	Temperature unit selection	°C: celsius equals °F: fahrenheit equals	Ex-factory Value °C
<i>SPL</i>	Low limit of SV	Minimum value that SV is allowed to be.	-999~3200 (ex-factory Value SPL is -99, SPH is 999)
<i>SPH</i>	High limit of SV	Minimum value that SV is allowed to be.	

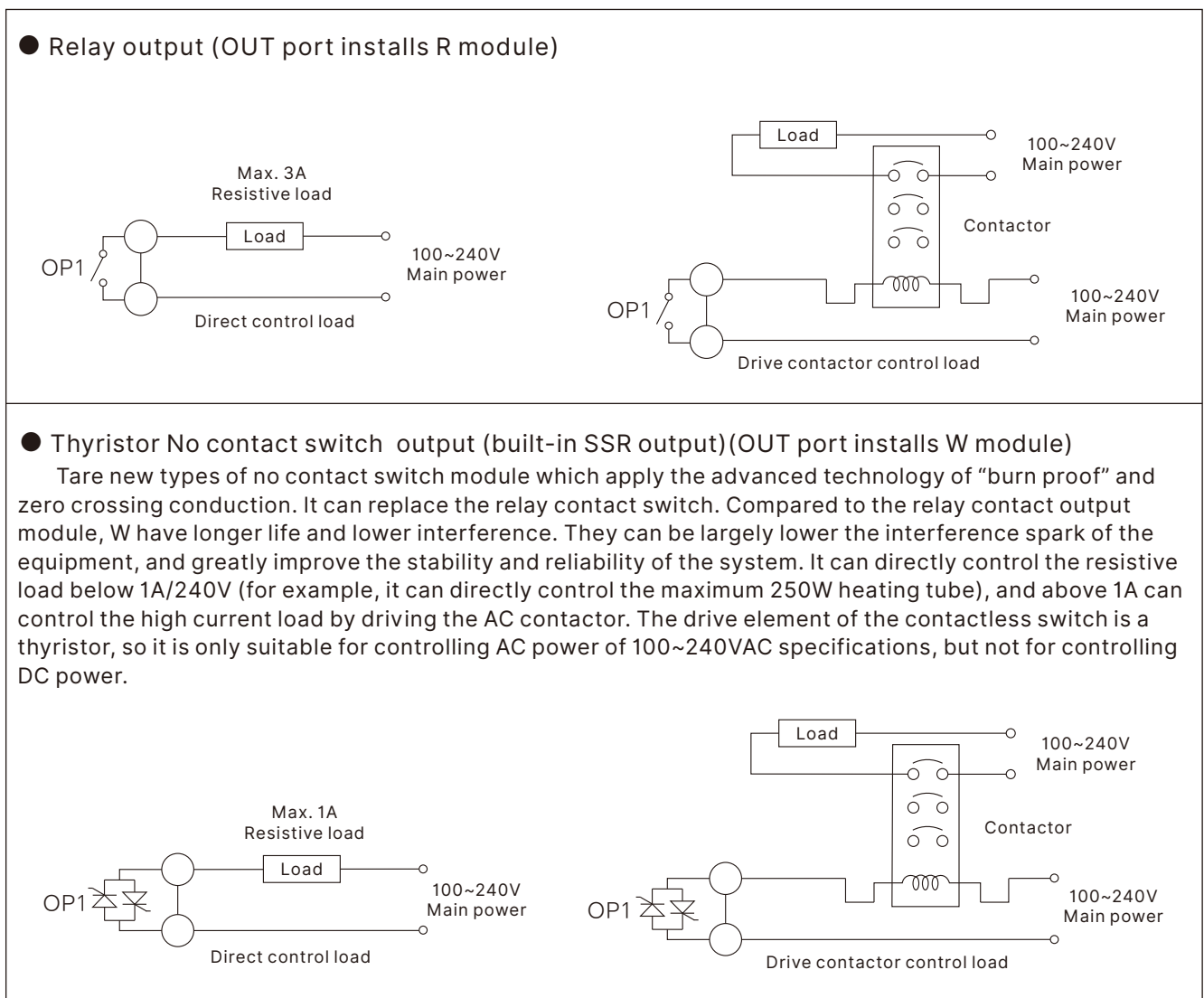
8. Partial application wiring methods

8.1 The wiring method of the input signal

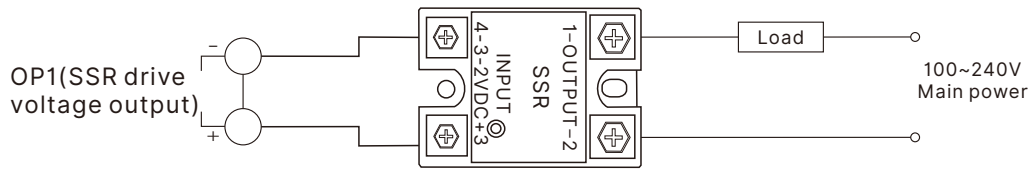


*If the input wiring is incorrect or the sensor is damaged or out of range or the Int setting is inconsistent with the input sensor type, the second display window will display a "orAL" warning flashing. After you eliminate these faults, the instrument will display the measured values normally.

8.2 Main control output wiring method

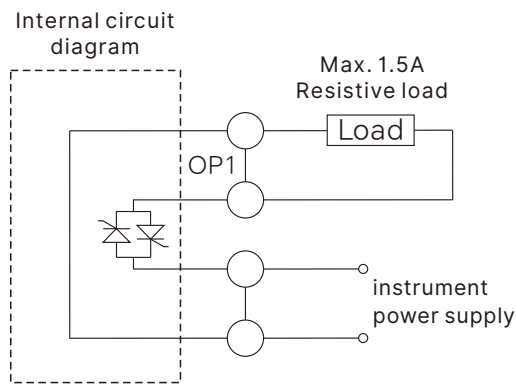


● 12V SSR drive voltage output(OUT port installed Q module)



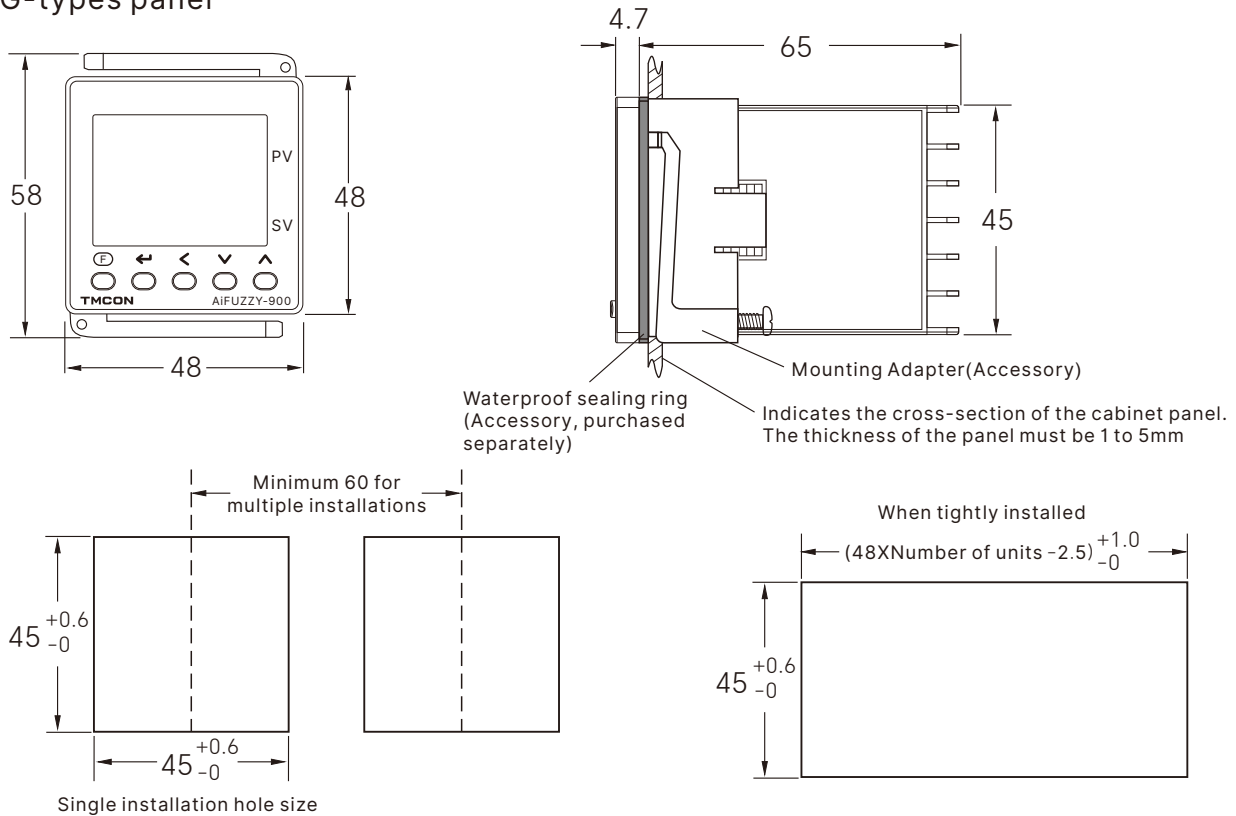
● Built-in SSR direct output load power supply (OUT port installed Q7 module)

Built in SSR solid-state relay, and inside the instrument, the SSR output end is connected in parallel with the instrument power supply end, directly outputting the load power supply(For example, if the instrument power supply is connected to 220V, the output is 220V voltage, and if the instrument power supply is connected to 110V, the output is 110V voltage), suitable for 1.5A/220V small power loads (customized).

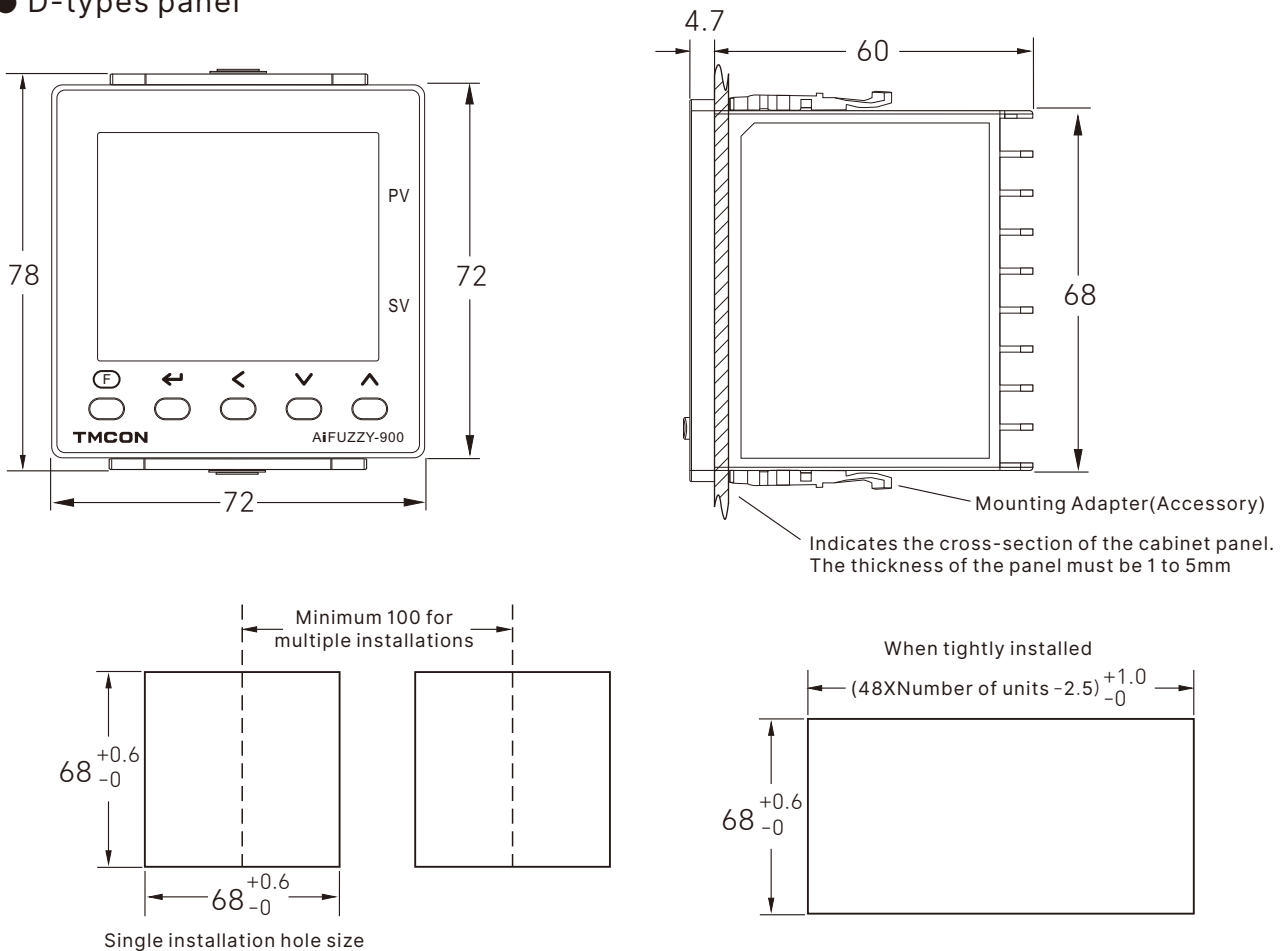


9. Dimensions and installation instructions(mm)

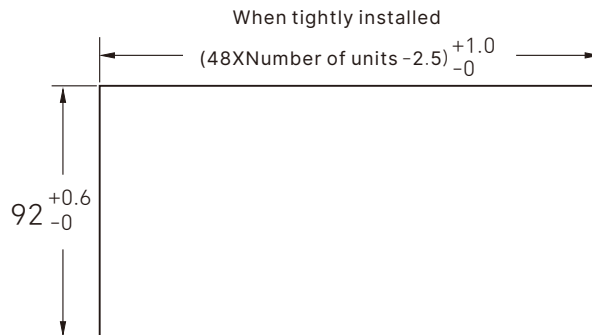
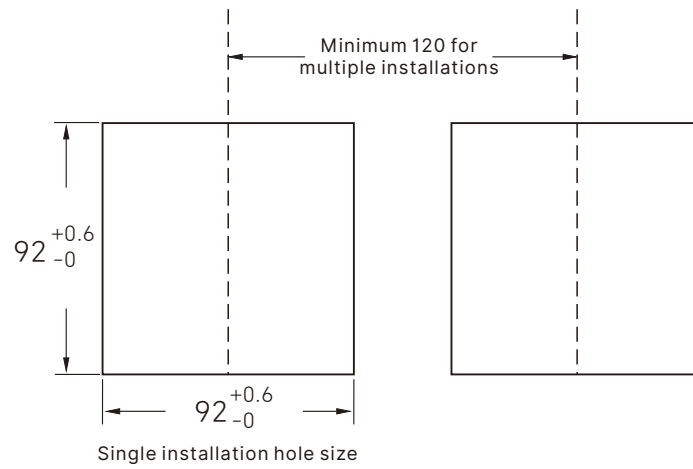
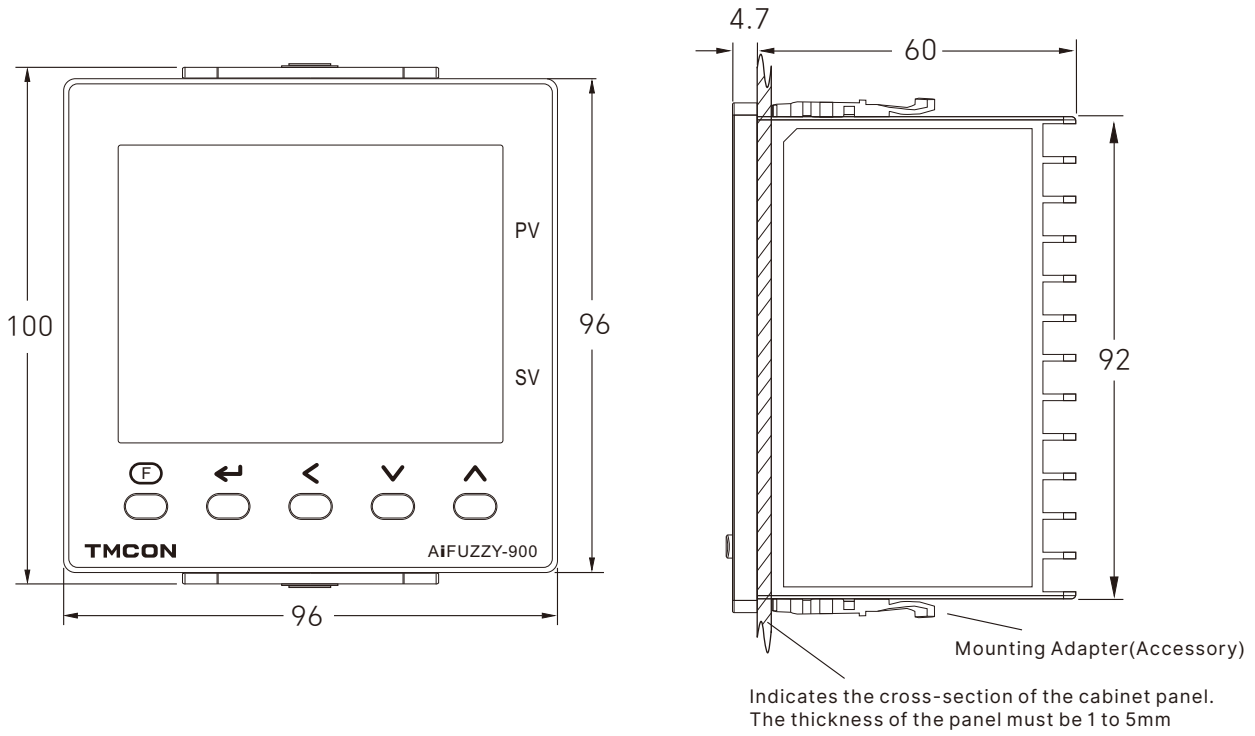
● G-types panel



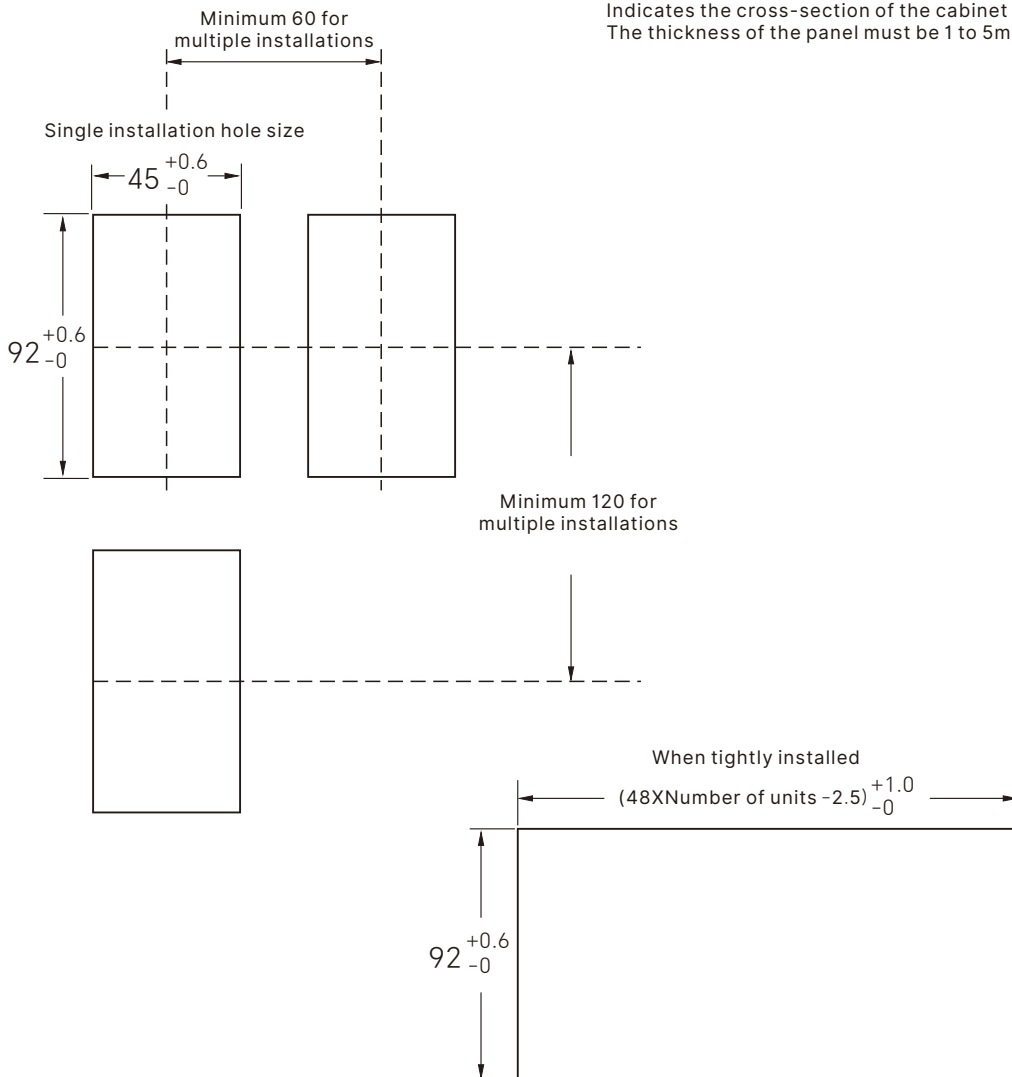
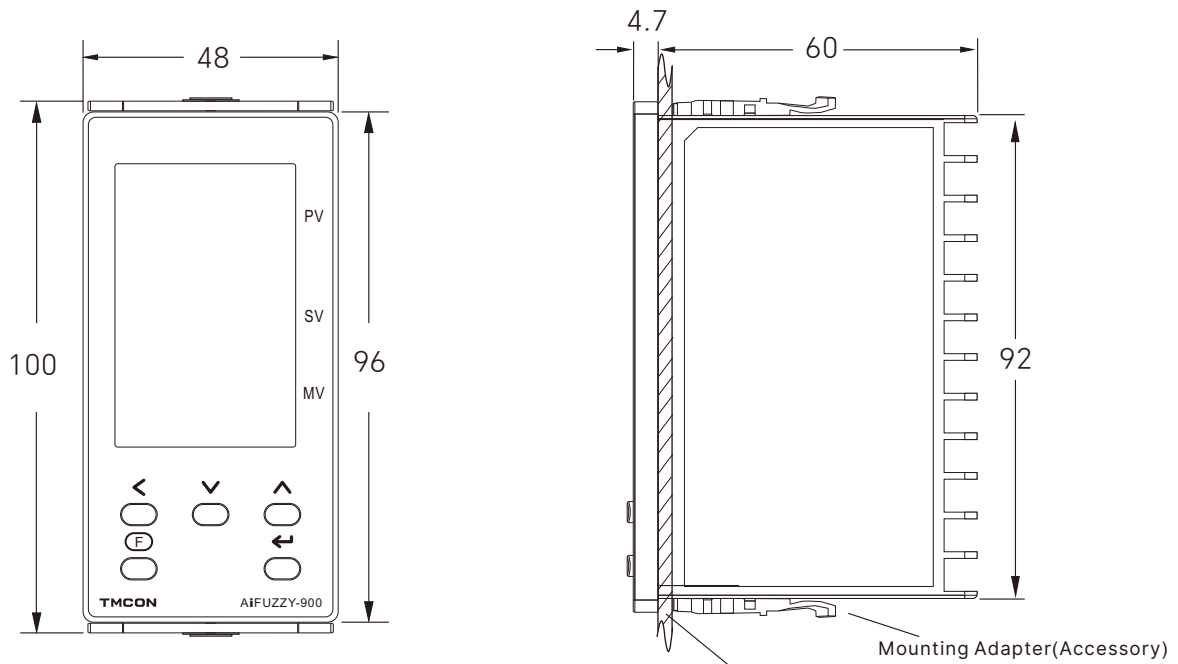
● D-types panel



● A-types panel



● E-types panel



● F-types panel

