



ULTRASONIC LEVEL METER

HD320

Compact Two-Wire system
Easy installation, Reasonable cost

Two-wire system

In "Two-wire system", the electric power is supplied through the data line, so there is no need of power line connection.

Compact one unit includes sensor and control circuit

Housing material is chemical-resistant resin, PP.

Rich information display by graphic LCD

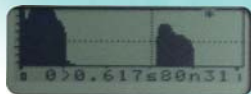
Easy and straight forward operation by Menu driven mode control and data image display

Four display mode

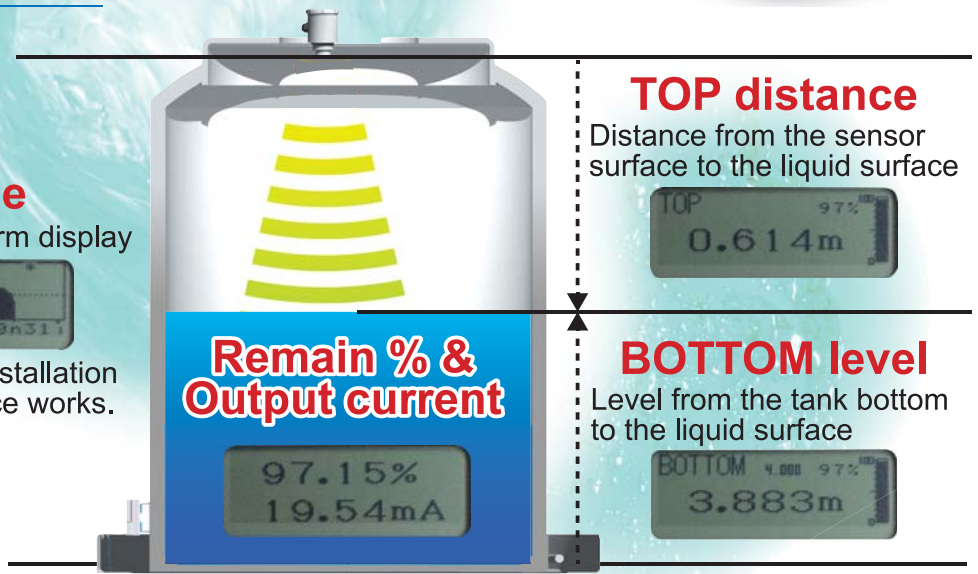
Display mode can be selected from 4 display modes.

A-mode

Refelected waveform display



Useful for the installation and maintenance works.



Mask function

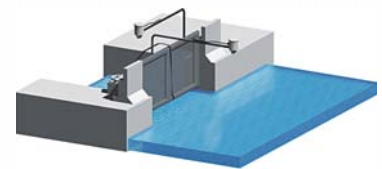
Mask function eliminates interference caused by obstructive objects in a tank and enables correct measurement.

Open channel flow measurement

Measures integrating or instantaneous flow of triangular, rectangular (with or without end contraction) or parshall flume.

Usage

- Level control of liquid in a tank
- Level measurement of pond, lake or river
- Open channel flow measurement



■ Level measurement in a tank ■ Level control of a river

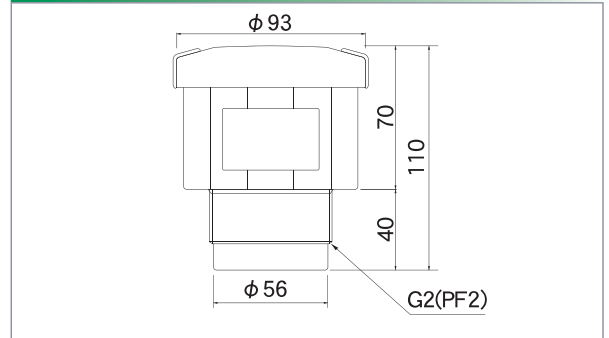
ULTRASONIC LEVEL METER

HD320

Specifications

Model		HD320
Channel		1 CH
Frequency		50 kHz
Measurement Object		Liquid
Measurement range		0.25 - 7.5 m
Resolution		1 mm
Accuracy		±0.25% F.S. (±1.88 cm)
Data update cycle		10 seconds
Sensor directive angle (beam angle)		14°(-6dB) / 10°(-3dB)
Power source	Voltage	24 V DC
	Power consumption	0.6 W
Display		Graphic LCD
Output	4-20 mA Current	Resolution: 12 bit (Max. load 500Ω 24V)
	Operation temperature	-20 to 70 deg C
Material		PP
Protection		IP65 level (without cap: IP20 level)
Dimension		dia. 93 x 110 mm
Cord length		10 m
Weight		350 g
Screw		G2

Dimensions



Notice for installation

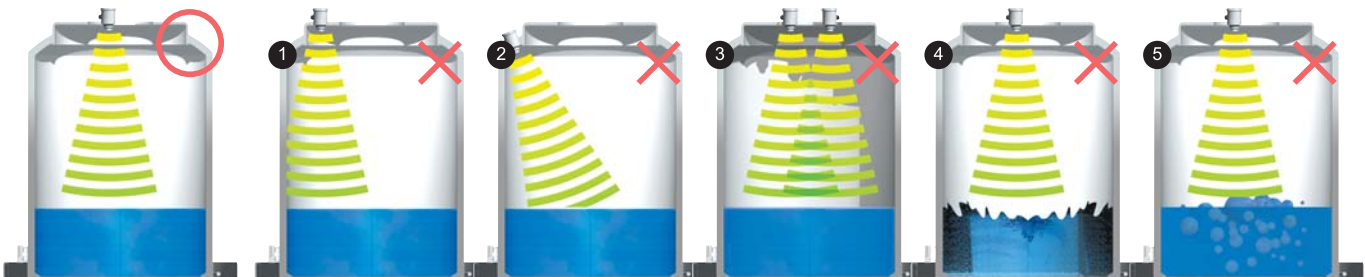
* Do not install the unit inside of a tube like below image



*Wave guide tube is required for this type

* Do not use metal nut or metal flange. It may cause error on measurement.
* Please use nut or flange that made of plastic.

Ultrasonic Level Meter - Notes on sensor installation



Avoid obstacles

Make sure that no obstacles are interfered within the directivity angle of the sensor of the ultrasonic level meter. (1)

Make sure the sensor position

Make sure the transmitting/receiving plane of the ultrasonic sensor is arallel to the object to be measured.Do not install a sensor in the center of a tank. (2, 4)

Do not install more than one sensor

Multiple ultrasonic sensors in a tank will interfere with another one. (3)

Avoid strong water movements or bubbles

Swirling water and bubbles might have bad effect on precise measurement. (4, 5)



HONDA ELECTRONICS CO.,LTD.

Headquarters: 20 Oyamazuka, Oiwa-cho, Toyohashi, Aichi 441-3193, Japan
Tel: +81-532-41-2511 (Main) Fax: +81-532-41-2093

Industrial Equipment Division: 20 Oyamazuka, Oiwa-cho, Toyohashi, Aichi 441-3193, Japan
Tel: +81-532-41-2774 (Direct) Fax: +81-532-41-2923

Bangkok Representative Office: Room 23, 2 Jasmine Bldg., 12 Fl., Soi Sukhumvit 23 (Prasanmitr),
Sukhumvit Rd., North Klongtoey, Wattana, Bangkok 10110
Tel: +66-2-612-7311 Fax: +66-2-612-7399

URL <http://www.honda-el.co.jp/en/>

Registered company for ISO9001and ISO14001

<Contact>